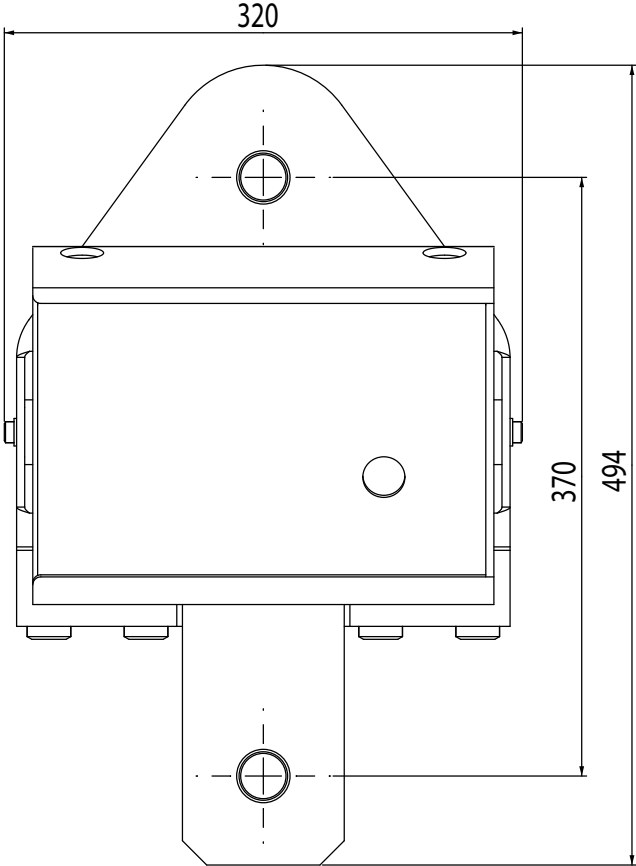
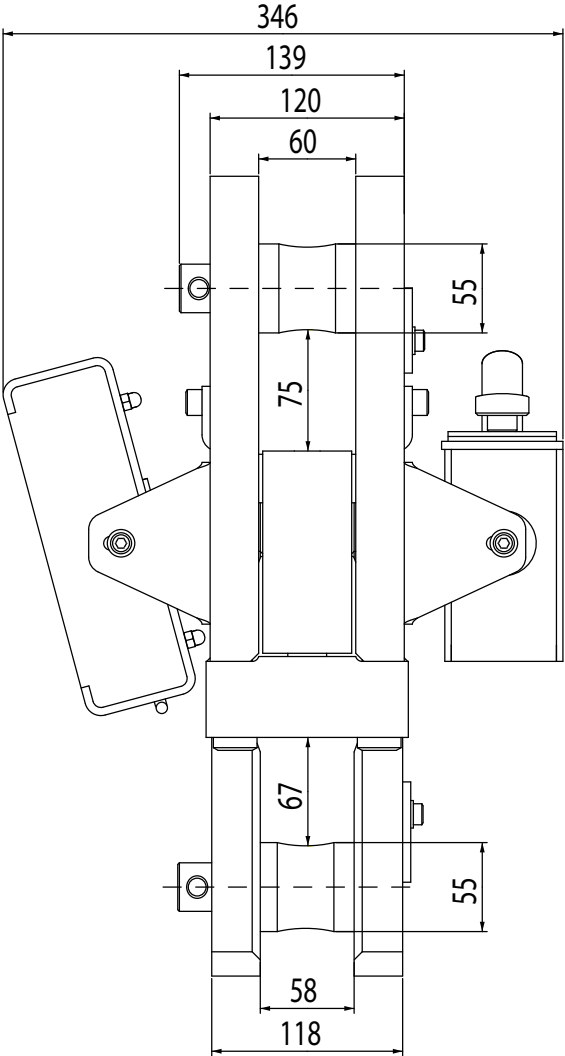


# WMC-H



dimensioni in mm