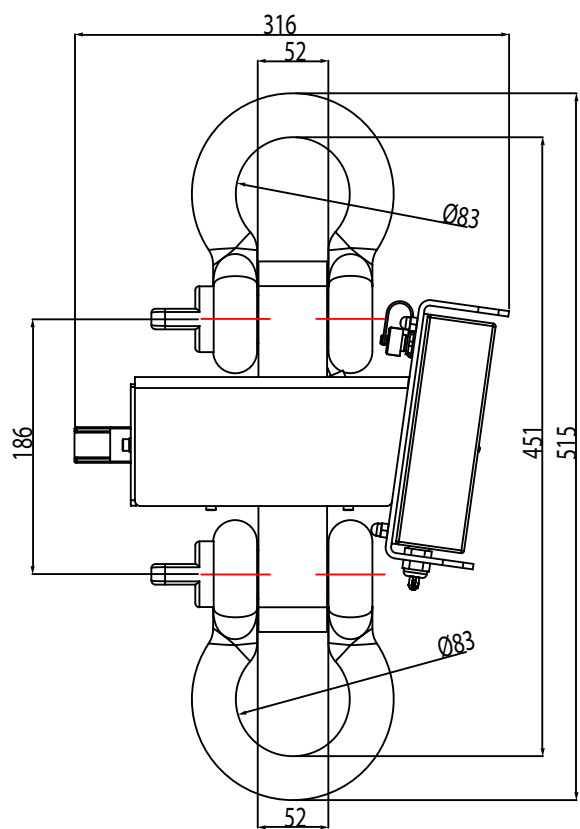
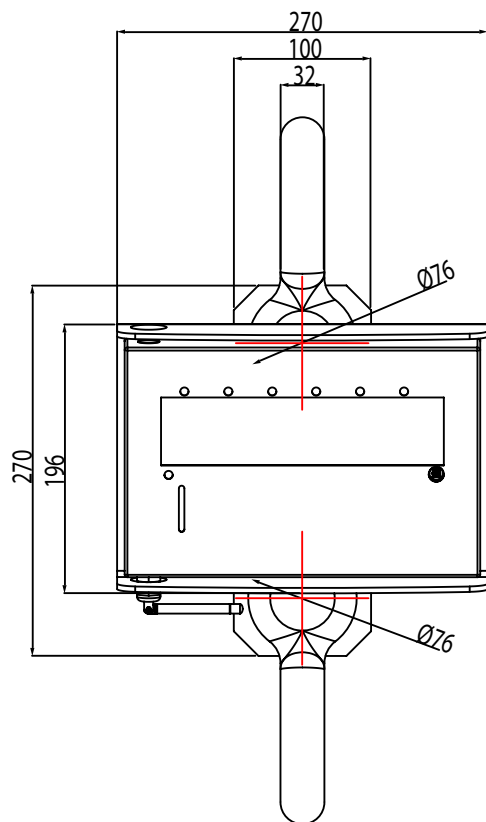
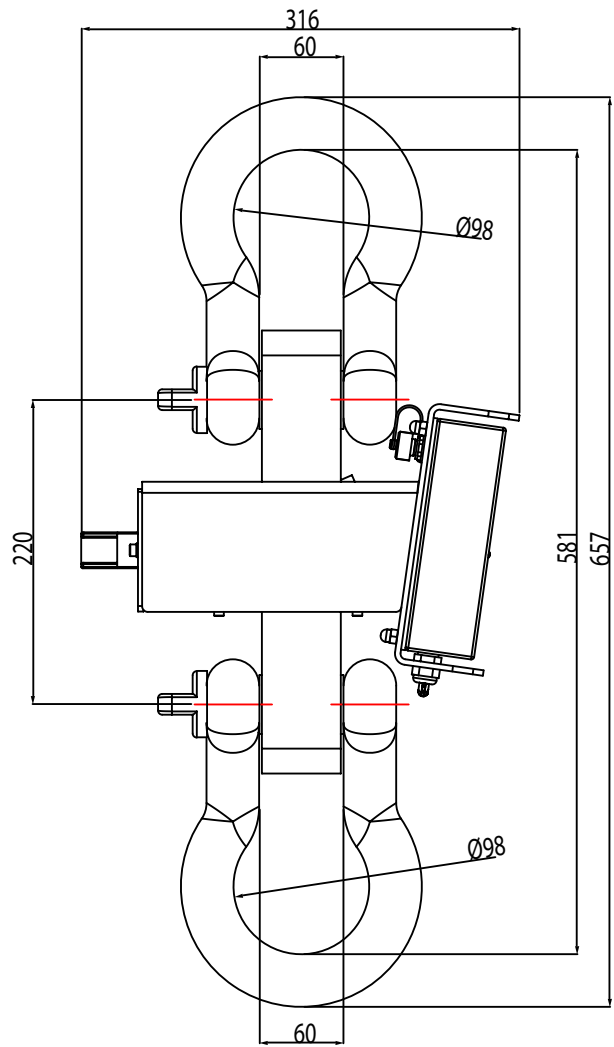
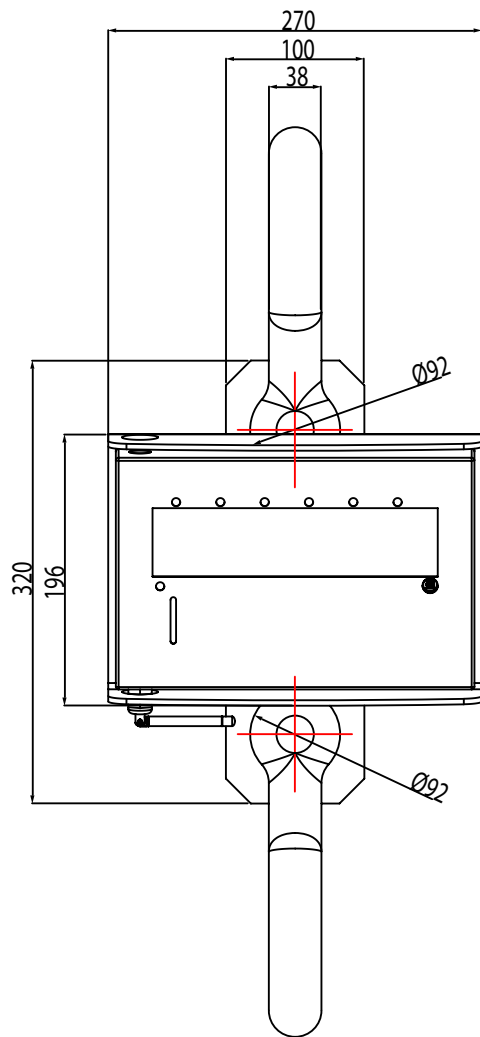


# WMC-09\_T12



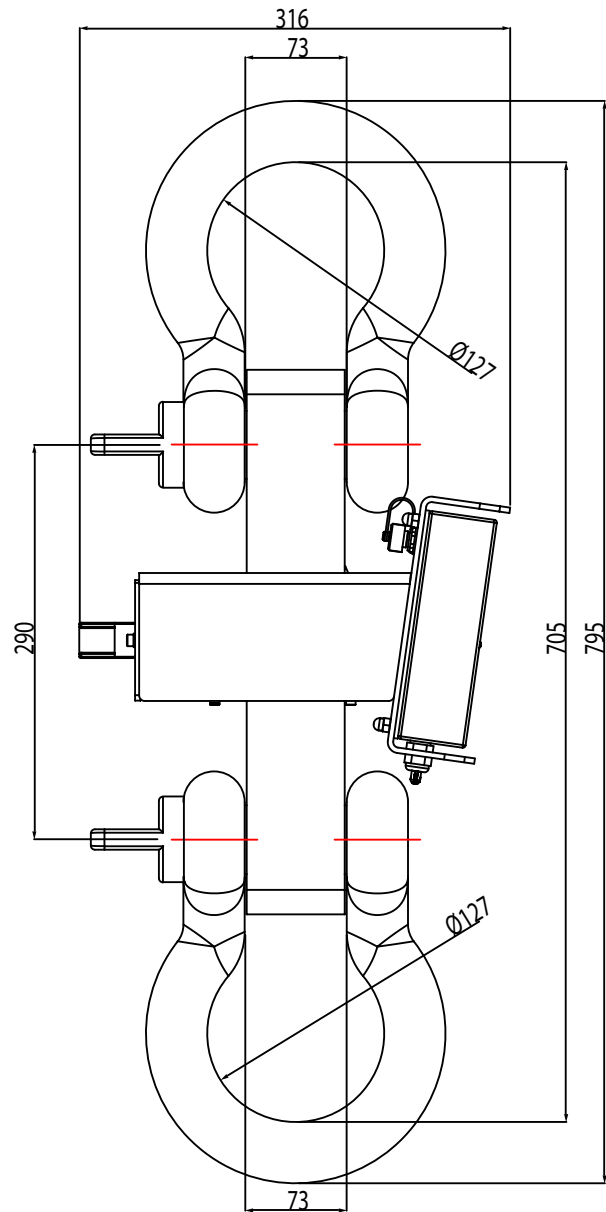
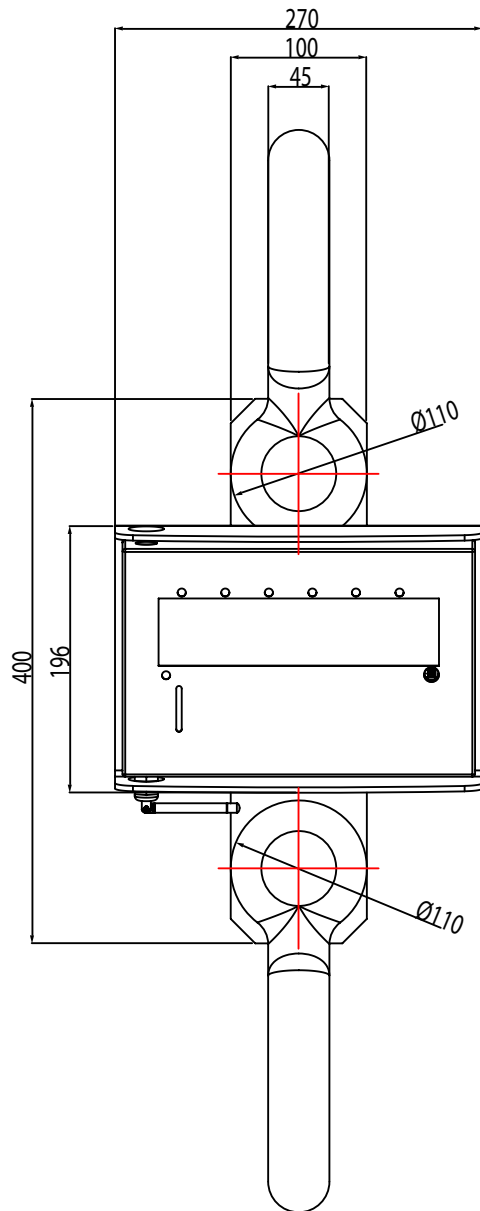
dimensioni in mm

# WMC-09\_T17



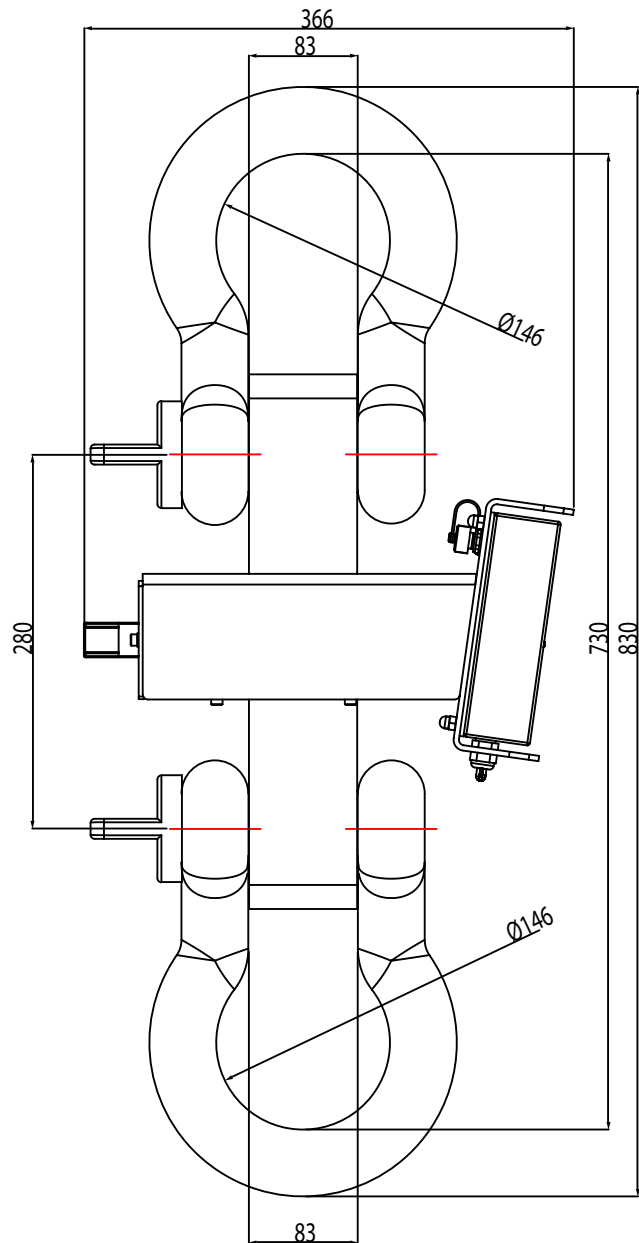
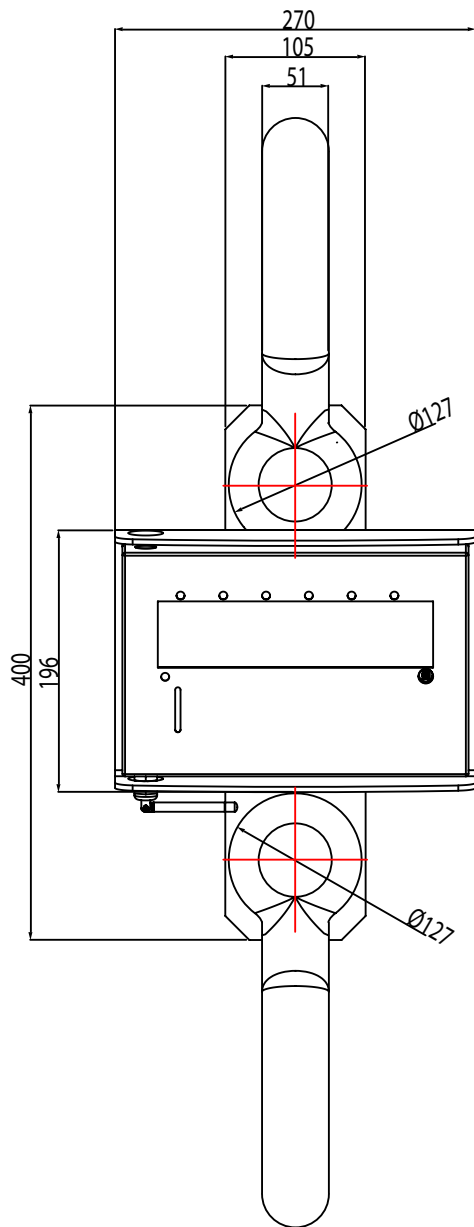
dimensioni in mm

# WMC-09\_T25



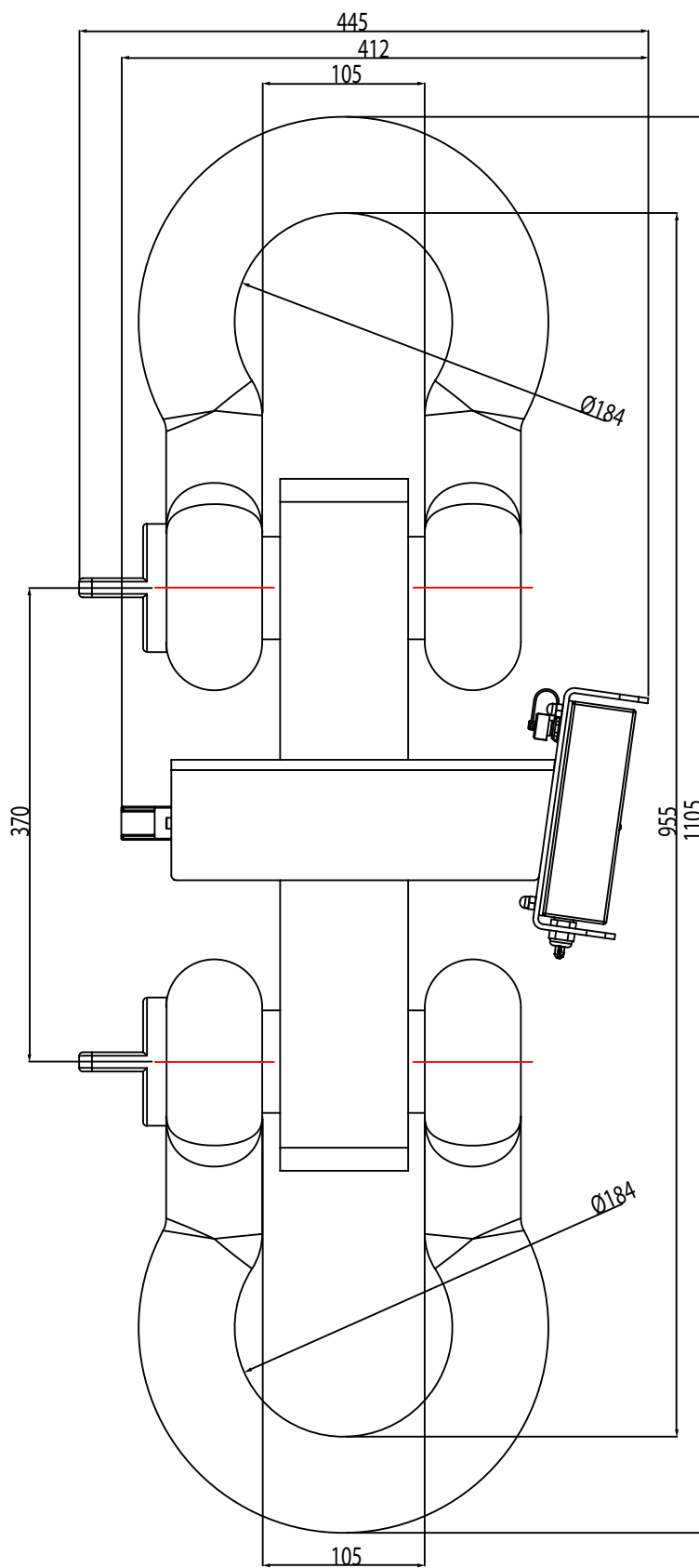
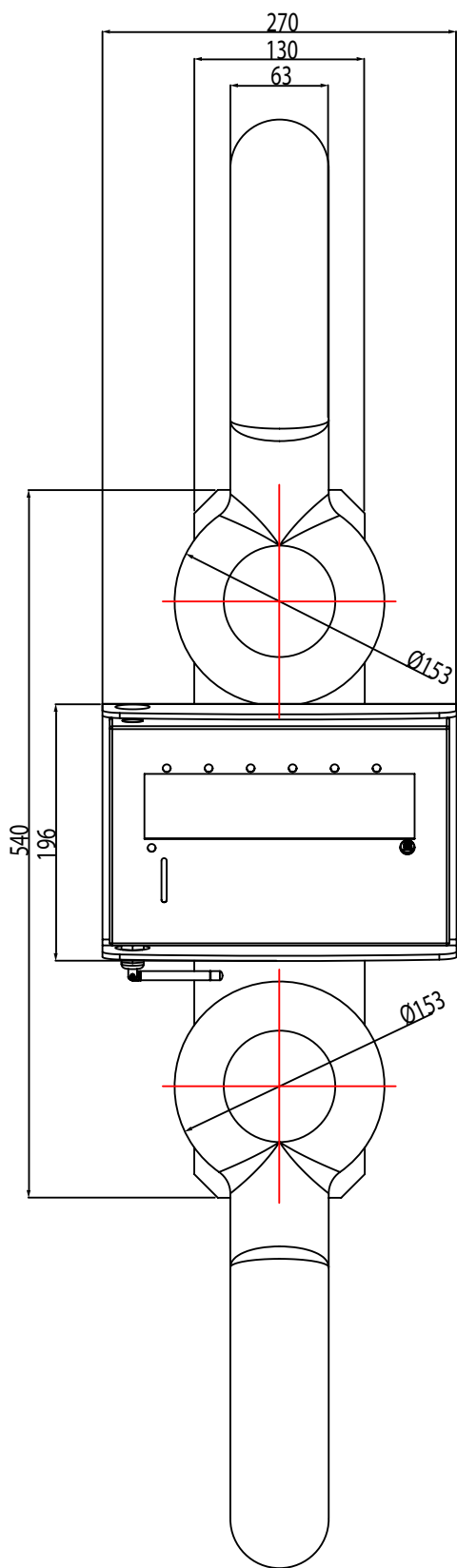
dimensioni in mm

# WMC-09\_T35



dimensioni in mm

# WMC-09\_T50



dimensioni in mm